



## PC6EG - STEEL MANHOLE COVER

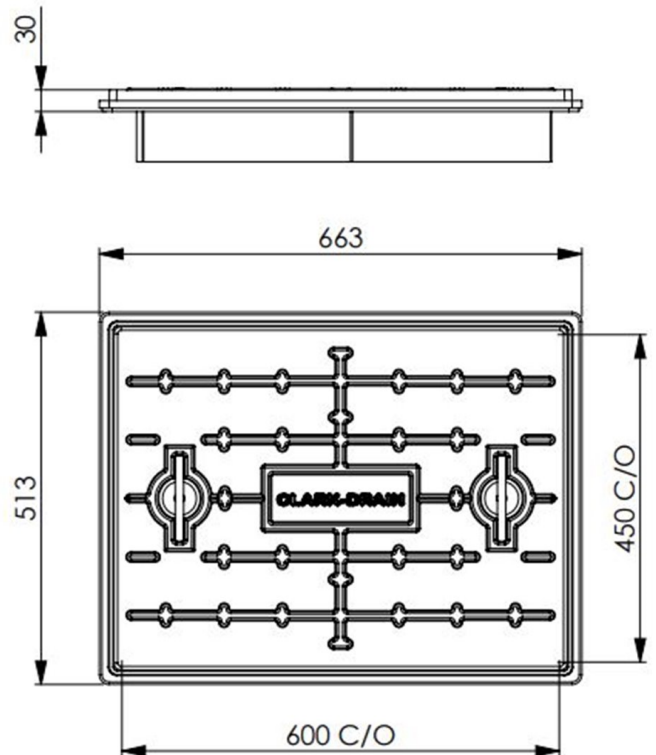
### KEY FEATURES

- Integrated lifting handles
- Moulded grouting flange
- Recommended for Driveways
- Galvanised Steel Cover to BS EN 1461:2021



### PC6EG - Specifications

Product Weight (Kg)	12
Clear Opening	600 x 450
Overall Dimensions	663 x 513 x 30
Cover Material	Mild Steel to EN 10346 2015 DD11
Frame Material	Polypropylene (Grade AP9)
Load Rating	25 tonne GPW
Load Rating Data	62.5kN held for 30 seconds
FACTA Clauses	7.0, 7.2, 7.2.1, 7.2.3
Locking	None



PC6EG/V0.1/09-12-2022

Due to our continuous product improvement program features and sizes may be subject to change without notice.

CLARK DRAIN, STATION ROAD, YAXLEY, PETERBOROUGH, PE7 3EQ, TEL. +44 (0) 1733 765317