



PC6CG - STEEL MANHOLE COVER

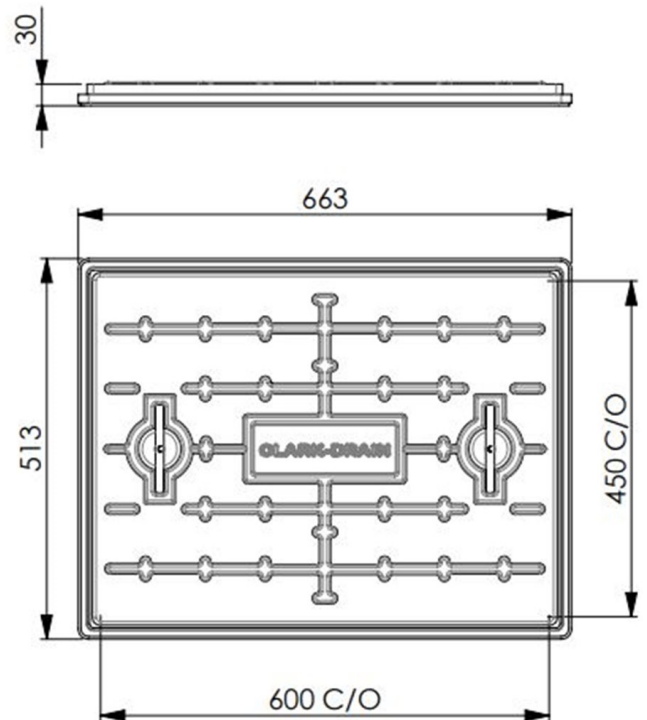
KEY FEATURES

- Integrated lifting handles
- Moulded grouting flange
- Recommended for Driveways
- Galvanised Steel Cover to BS EN 1461:2019



PC6CG - Specifications

Product Weight (Kg)	9
Clear Opening	600 x 450
Overall Dimensions	663 x 513 x 30
Cover Material	Mild Steel to EN 10346 2015 DD11
Frame Material	Polypropylene (Grade AP9)
Load Rating	10 tonne GPW
Load Rating Data	25kN held for 30 seconds
FACTA Clauses	7.0, 7.2, 7.2.1, 7.2.3
Locking	None



PC6CG/V0.1/09-12-2022